

SLIM SCAN T2

Stud / Bolt Scanner for Height Restricted Inspection



CREO Engineering Solutions
34 Rutherford Road
Southfield Industrial Estate
Glenrothes Fife KY6 2RT

www.creosolutions.co.uk

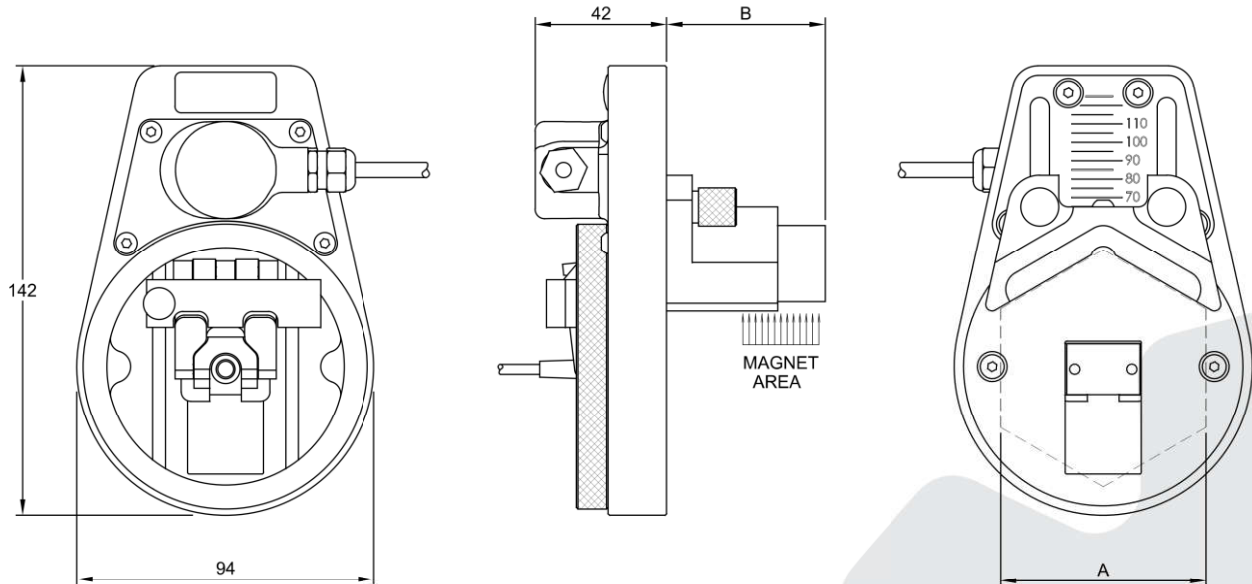
t: +44 (0)1592 773300

e: sales@creosolutions.co.uk

**DESIGN
PROTOTYPING
MANUFACTURE**

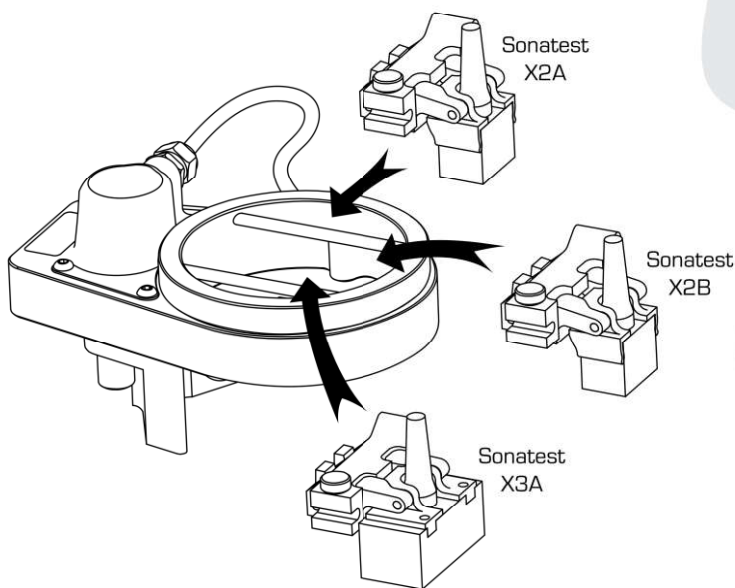
SLIM SCAN T2

Stud / Bolt Scanner for Height Restricted Inspection



CREO Slim Scan has been developed to allow full encoded scan of studs and bolts where there is limited access. Slim Scan can be quickly attached by the magnetic stop locating on the flats of the nut. The magnetic stop is adjustable to accommodate all nut sizes between 65mm to 128mm A/F. This covers the metric sizes M42 to M90, Imperial sizes 1 5/8" to 3".

Dim	Min	Max
'A'	65mm	128mm
'B'	35mm	50mm



The magnets on the stop can be adjusted via the integral slide bringing the magnets out further by 15mm. This is can be useful where the stud protrudes further through the nut meaning the magnet contact area would not be in full contact with the nut flat.

Slim Scan probe holders are easy to swap in and out, clipping onto the scanners slide rails. The probe offset can be fully adjusted, once set the holder can be locked into place using the locking wheel on the probe holder assembly.

Alternative probe holders are available on request.



CREO Engineering Solutions
34 Rutherford Road
Southfield Industrial Estate
Glenrothes Fife KY6 2RT

www.creosolutions.co.uk

t: +44 (0)1592 773300

e: sales@creosolutions.co.uk

**DESIGN
PROTOTYPING
MANUFACTURE**