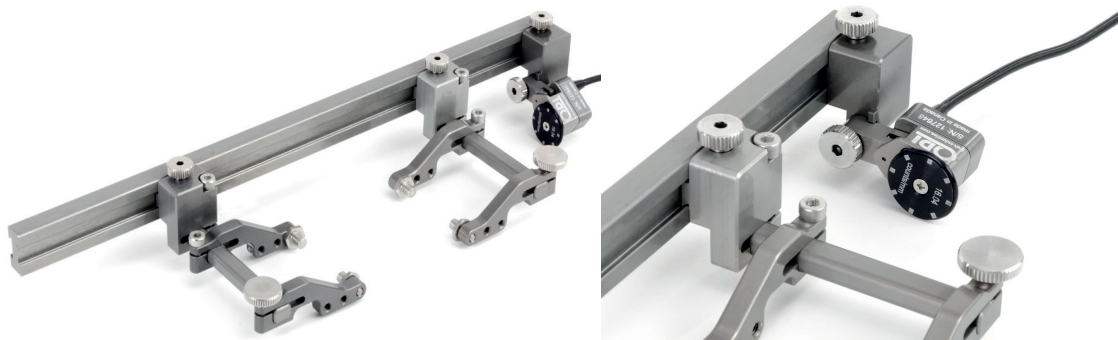




Odi-II - Compact Dual Probe Scanner



Description

The Odi-II is used to provide encoded position of two probes along the scan axis. The small size of the Odi-II makes it a perfect tool for manual TOFD scanning. The Odi-II uses Jireh's standard probe holder arms, which are compatible with most manufacturers' wedge and probe combinations. It is also available with a variety of encoder output cable options, making it compatible with most major UT instruments. The Odi-II is the perfect solution to carry out manual TOFD scans at an affordable price. (Scanner price not including probes or wedges).

Benefits

- **Quick Adjust Probe Holders:** This system allows the operator to fix the encoder to any probe/wedge or object to provide encoded position (no tools required).
- **Environmental Sealing:** The Odi-II is waterproof and constructed from corrosion resistant materials.
- **Encoder Output:** The Odi-II is available with a variety of encoder output cable options to be used with your instrument of choice. (See ordering information).
- **Configurable:** The Odi-II can be used as a single or dual probe manual scanner. The encoder can be positioned anywhere along the length of the frame bar, and on either side as well.

Simplicity | Capability | Reliability

Specifications

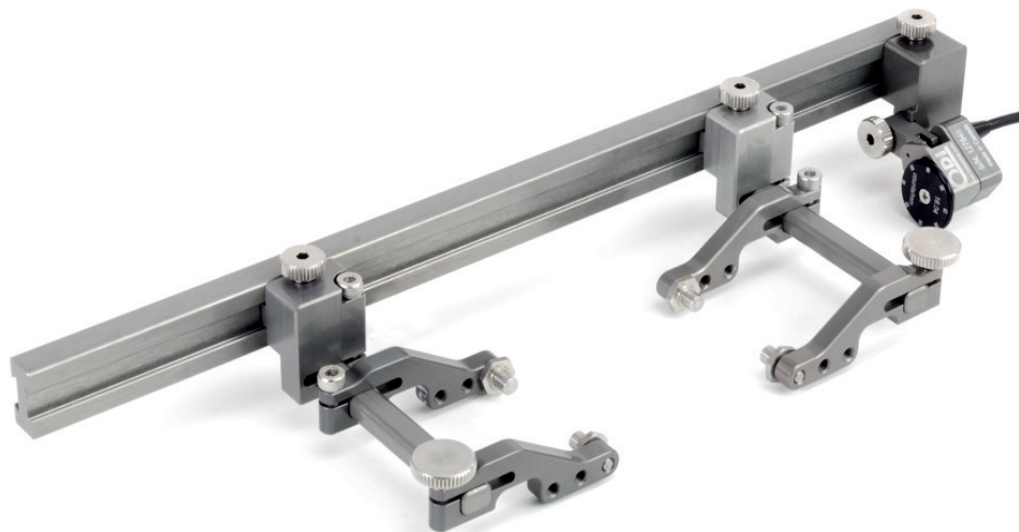
- **Clamp Width:** Max clamp opening 50mm (1.97in)
- **Encoder Wheel Diameter:** 20.57mm (0.810in)
- **Encoder cable:** Compatible with Sonatest instruments
- **Encoder Resolution:** 16.04 pulses/mm

Standard Kit Content (JX-1005)

- Odi Encoder with 2.5M (8ft) encoder cable
- 30cm frame bar
- 2 probe holders with short arms and pivot buttons

Accessories

- Probe & Wedges – Refer to Sonatest transducer catalogue
- JX-1003 – Irrigation kit (tubes and fittings)



Related Products

veo+



Veo+ (Multiscan)

prisMA



Prisma (IPA or 2TOFD)

Distributed by:

Sonatest (Head Office)
Dickens Road, Old Wolverton
Milton Keynes, MK12 5QQ
t: +44 (0)1908 316345
e: sales@sonatest.com

Sonatest (North America)
12775 Cogburn, San Antonio
Texas, 78249
t: +1 (210) 697-0335
e: sales@sonatestinc.com