

## Introduction

The WheelProbe 2 features a captive array in an adaptive rubber wheel making it a perfect corrosion mapping solution for un-even, curved, and large surfaces areas.

Once the tyre of the WP2 is filled with water, it becomes a portable encoded immersion inspection system, this significantly improves the accuracy of the overall inspection data compared to other contact PA methods. Moreover, as the encoder is fixed directly to the tyre of the WP2, it cannot slip on the surface causing missed or inaccurate data.

This system, combined with the recording capabilities of the Veo3, accelerates inspection productivity. Results can then be reviewed with the powerful UTstudio+ or with UTmap for more advanced automatic defect detection.

The WP2 comes with an option for 128 or 64 elements and a range of frequencies to enable you to choose the best solution for your application.

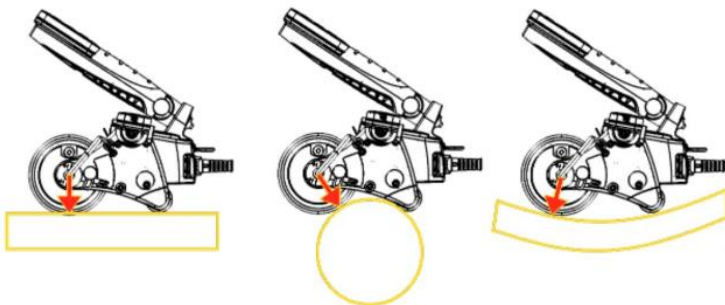


Figure 1 - Wheel Probe 2 adapts to a large range of ID and OD curvatures.



Figure 2 - Wheel Probe 2 is lightweight and easy to use in any orientation

## Industries

- Chemical & Petrochemical Sector
- Oil & Gas Sector
- Nuclear Energy Sector
- Maritime Shipping Industries
- Construction and Infrastructure
- NDT Service Providers

## Application

- Corrosion / Thickness measurement
- Storage Vessel Inspection
- Asset integrity

## Typical Parts

- Pressure vessels
- Pipelines
- Storage vessels

## Inspection Techniques

- Phased Array L-Scan

## Features and Benefits

- Fast recording capabilities
- High resolution
- CSV exporting
- Excellent SNR at near surface
- Scan stitching capabilities using UTMap
- Easy adjustments to match curved ID and OD surfaces



Figure 3 - Wheel Probe 2 is available in 64 element and 128 element versions

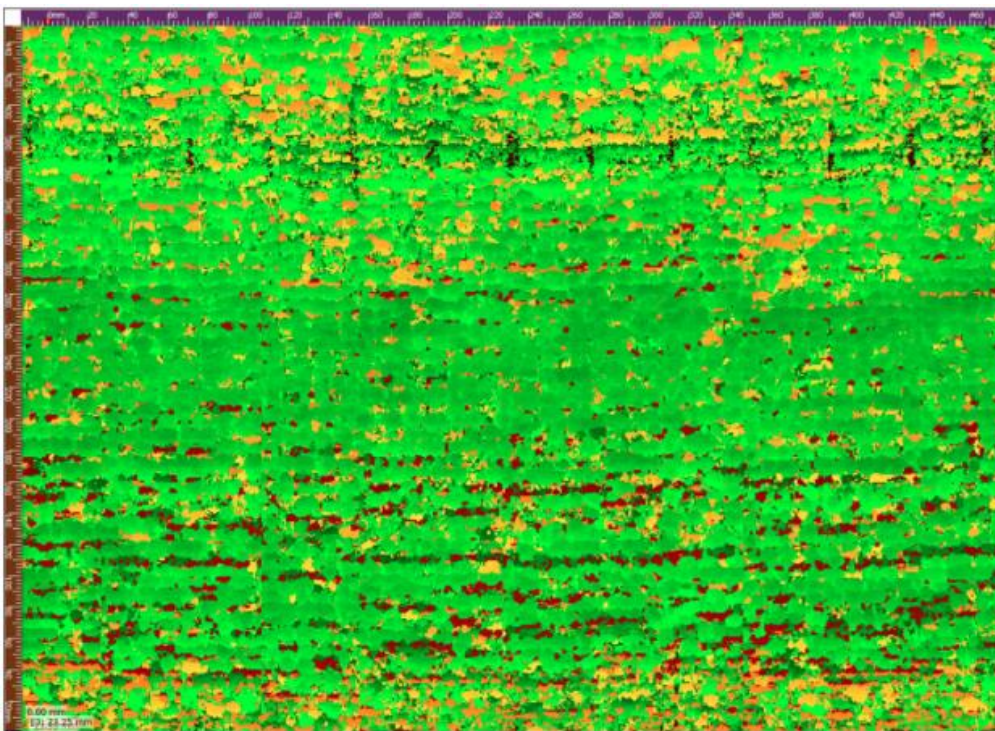


Figure 4 - Corrosion mapping data gathered with the Wheel Probe 2

For further information or support, please contact the Sonatest Applications Team: [applications@sonatest.com](mailto:applications@sonatest.com)

### Recommended Tool Package

Category	Part #	Description
Product	VEO3 16:64 BNC or VEO3 16:64 LEMO	VEO3 16:64 Phased Array acquisition unit, option for BNC or LEMO connection ports.
Product option	SW-VEO3 CSV	Allows for the export of data to a CSV file.
Probe	WP2-5MHz-128	Wheel probe 2 Option of 64 or 128 elements. Option for a range of frequencies.
Product option	SW-VEO3 CSV	Allows for the export of data to a CSV file.
Probe	WP2-5MHz-128	Wheel probe 2 Option of 64 or 128 elements. Option for a range of frequencies.

Get in touch with your local Sonatest expert, available in more than 50 countries over 5 continents!



Sonatest (Head Office)  
Dickens Road, Old  
Wolverton Milton Keynes,  
MK12 5QQ t: +44 (0)1908  
316345 e:  
sales@sonatest.com  
Sonatest

(North America)  
12775 Cogburn, San Antonio Texas,  
78249  
t: +1 (210) 697-0335 e:  
sales@sonatestinc.com