

Phased Array Probes

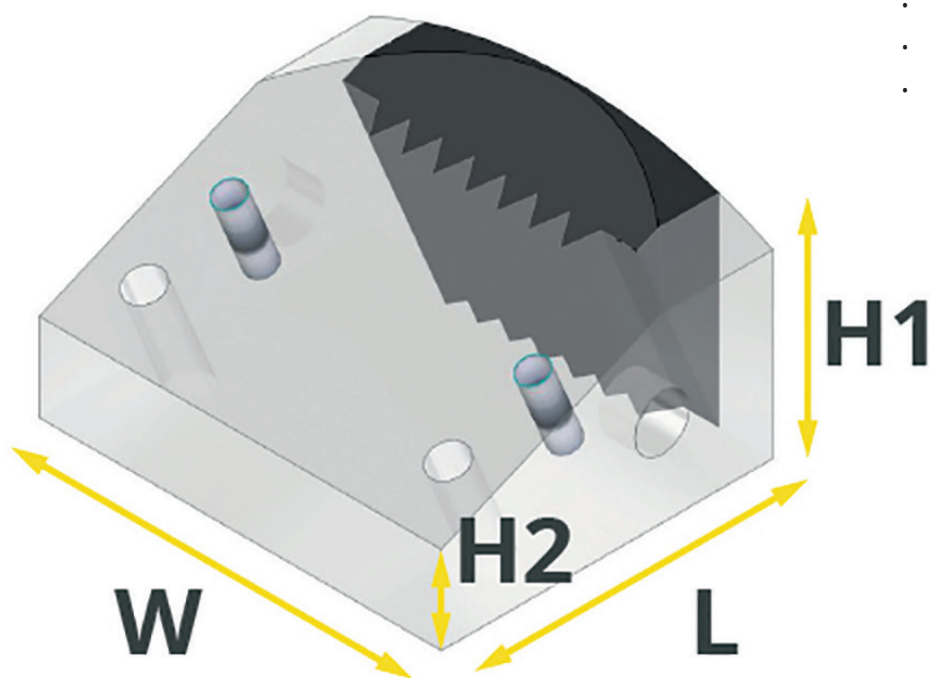
X0 Series

Features

- Quick I-PEX Connector (QX)
- Quick I-PEX Bracket
- 5m Cable
- Other cable lengths upon request

Frequent Applications

- Bore Pipe
- Small diameter tube inspection
- Fits on most low profile scanners



Product code	Probe Description	Frequency (MHz)	Number Elements (QTY)	Elevation E (mm)	Element Pitch P (mm)	Aperture L (mm)
X0A-001	X0A-2.25M16EFC35-0.5x10-SQX5	2.25	16	10	0.5	8
X0A-002	X0A-5M16EFC35-0.5x10-SQX5	5	16	10	0.5	8
X0A-003	X0A-7.5M16EFC35-0.5x10-SQX5	7.5	16	10	0.5	8
X0A-004	X0A-10M16EFC35-0.5x10-SQX5	10	16	10	0.5	8
X0A-005	X0A-10M32EFC35-0.25x10-SQX5	10	32	10	0.25	8

Case Dimensions (mm)		
A	B	C
26	22	9.7
26	22	9.7
26	22	9.7
26	22	9.7
26	22	9.7

Wedge	Wedge Description	Wave Type (LW/SW)	Angle Steel (°)	Cut Angle (°)	Delay Line (mm)	Length (L) (mm)	Width (W) (mm)	Front Height (H1) (mm)	Back Height (H2) (mm)
X0AW-001	X0AW-N60S-IH	S	60	39	0	18	21	13.2	2.4
X0AW-002	X0AW-N55S-IH	S	55	36	0	18	21	13.2	2.4
X0AW-003	X0AW-N45S-IH	S	45	31	0	18	21	13.2	2.4
X0AW-004	X0AW-N60L-IH	L	60	20	0	18	21	9	2.4