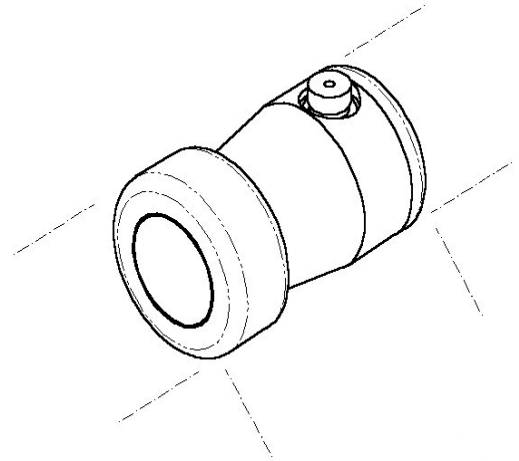


# Single Compression High Damped SLM & PSLM



Transducer Models SLM & PSLM				
SLM	PSLM	f	Ø	N
p/n	p/n	(MHz)	(")	(")
-	PSLM10.5	0.5	1	0.5
-	PSLM50.5	0.5	1/2	0.1
-	PSLM501	1	1/2	0.3
-	PSLM751	1	3/4	0.6
-	PSLM101	1	1	1.1
SLM5025	PSLM5025	2.25	1/2	0.6
SLM7525	PSLM7525	2.25	3/4	1.4
SLM1025	PSLM1025	2.25	1	2.4
-	PSLM503.5	3.5	1/2	0.9
-	PSLM753.5	3.5	3/4	2.1
-	PSLM103.5	3.5	1	3.7
-	PSLM1040	4	1	4.3
SLM5050	PSLM5050	5	1/2	1.3
SLM7550	PSLM7550	5	3/4	3.0
SLM1050	PSLM1050	5	1	5.4

## Features

- Single normal beam compression wave contact probe.
- Circular, lead metaniobate crystal (SLM).
- Circular, composite crystal (PSLM).
- Medium damped for general use (SLM).
- High damped for wide bandwidth (PSLM)
- Ceramic wear face and steel wear ring to prolong service life.
- Stainless steel ergonomic case for good grip and ease of use.

## Frequent Applications

- Ceramics
- Composites
- Machined parts

Size Options				Connector Options									
Probe Size	Case Dimensions			Connector Type						Connector Position			
Ø (")	A (")	B (")	C (")	BNC (B)	Lemo 1 (L)	Lemo 00 (Z)	Microdot (D)	Subvis (S)	UHF (U)	Top (T)	Rear (R)	Side	Cable
1/2	1.0	1.3	1.0	•	•	•	-	-	-	-	-	•	-
3/4	1.3	1.6	1.1	•	•	•	-	-	-	-	-	•	-
1	1.4	1.5	1.3	•	•	•	-	-	-	-	-	•	-