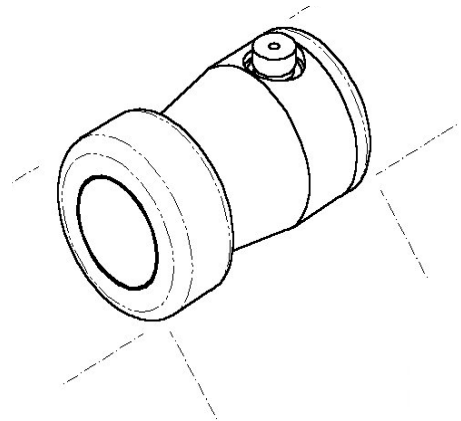


Single Compression Replaceable Membrane SLF & PSLF



Frequent Applications

- Casting & Forgings
- Bars & Billets
- Bond Testing
- Laminations

Features

- Single normal beam compression wave contact probe.
- Circular, lead metaniobate crystal (SLF).
- Circular, composite crystal (PSLF)
- Medium damped for general use (SLF)
- Polymer membrane protected face facilitates coupling with minimum couplant.
- Ceramic wear face and steel wear ring to prolong service life.
- Stainless steel ergonomic case for good grip and ease of use.
- Delay Lines available.
- High resolution (SLFHR) available upon request.

Transducer Models - SLF & PSLF				
SLF	PSLF	f	∅	N
p/n	p/n	(MHz)	(")	(")
-	PSLF10.5	0.5	1	0.5
-	PSLF101	1	1	1.1
SLF1025	PSLF1025	2.25	1	2.4
	PSLF1035	3.5	1	3.7
	PSLF1040	4	1	4.3
SLF1050	PSLF1050	5	1	5.4
	PSLF50.5	0.5	0.5	0.1
	PSLF501	1	0.5	0.3
SLF5025	PSLF5025	2.25	0.5	0.6
	PSLF503.5	3.5	0.5	0.9
	PSLF5040	4	0.5	1.1
SLF5050	PSLF5050	5	0.5	1.3

Size Options	SLF & PSLF			Connector Options						Connector Position			
Probe Size	Case Dimensions			Connector Type						Connector Position			
∅ (")	A (")	B (")	C (")	BNC (B)	Lemo 1 (L)	Lemo 00 (Z)	Microdot (D)	Subvis (S)	UHF (U)	Top (T)	Rear (R)	Side	Cable
1/2	1.0	1.3	1.0	•	•	•	-	-	-	-	-	•	-
3/4	1.3	1.6	1.1	•	•	•	-	-	-	-	-	•	-
1	1.4	1.5	1.3	•	•	•	-	-	-	-	-	•	-