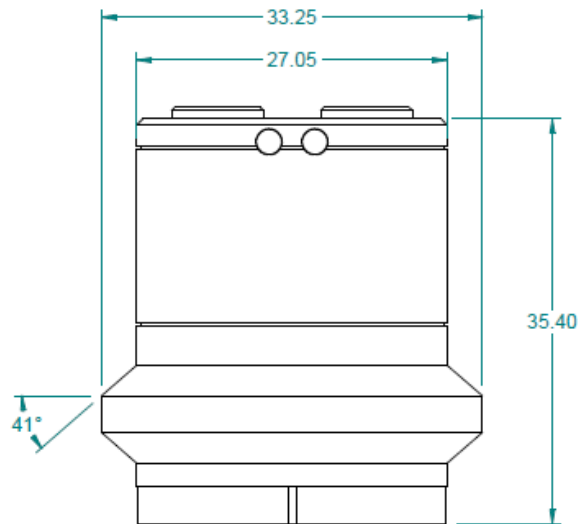


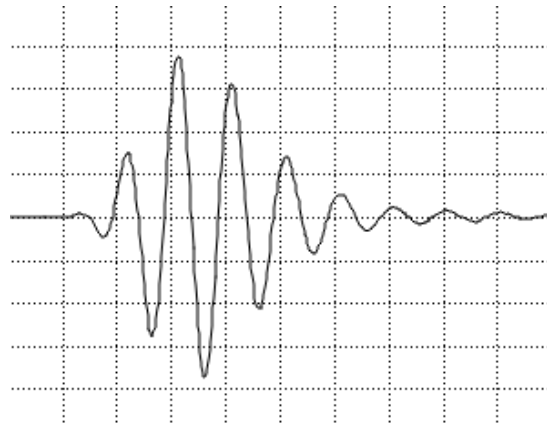
SONATEST ULTRASONIC PROBE DATASHEET

TWIN CRYSTAL DIRECT CONTACT COMPRESSION WAVE PROBE

Probe type: TSTARC2-20



	TSTARC2-20
BEAM ANGLE	0°
FREQUENCY	2MHz ± 10%
PULSE LENGTH	1.7ec ± 20%
CRYSTAL SIZE	Ø20mm disc
CRYSTAL MATERIAL	Lead Zirconate Titanate
CASE MATERIAL	Stainless Steel
DEAD ZONE	NA
NEAR FIELD	33mm
DIVERGENCE	3°±1°
REFERENCE DB	25.5



MAXIMUM ALLOWABLE WEAR	3.0 mm
RECOMMENDED CABLE	PC/L/ML or PC/L/S
CONNECTOR TYPE	LEMO 00 or SUBVIS

Sonatest Limited probes are manufactured to the highest standards for quality, reliability and performance within our registered quality system. Each probe is individually serialised and tested to the latest industry standard.



Dickens Road, Old Wolverton, Milton Keynes, MK12 5QQ, United Kingdom
T | +44 (0)1908 525 931 F | +44 (0)1908 321323 Registered in England Company No. 00865293