

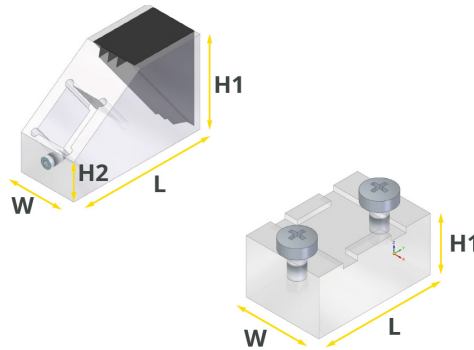
Phased Array Transducers

X1 Series - Miniature

These probes are very compact, making them suitable for applications in limited access areas or where a minimal footprint is required. Aerospace is a key industry for Sonatest X1 series, especially for Scribe Line inspection solution. Complex machined parts is another important application where the small footprint of the probe is a crucial criteria to get access into the material from a very small section of the part.

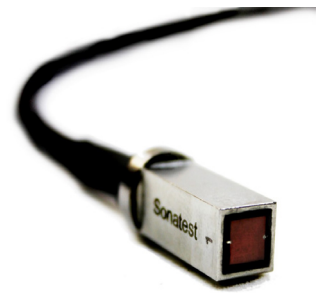
Frequent Applications

- Scribe lines
- Automotive parts
- Machined parts
- White metal sheets



Standard

- Quick I-PEX Connector (QX)
- Quick I-PEX Bracket
- 2.5m Cable
- Other cable lengths upon request



Probe Models

Part Number	Probe Description	Frequency	Number Elements	Elevation	Element Pitch	Aperture	External Dimensions		
							L	W	H
		F		E	P	L	L	W	H
		(MHz)	Qty	(mm)	(mm)	(mm)	(mm)	(mm)	(mm)
X1A-001	X1A-5M10E-0.6x5-SQX2.5	5	10	5	0.6	6	13	10	23
X1A-002	X1A-10M10E-0.6x5-SQX2.5	10	10	5	0.6	6	13	10	23
X1B-001	X1B-10M16E-0.3x5-SQX2.5	10	16	5	0.3	4.8	8	8	23

Wedge Models

Part Number	Wedge Description	Wave Type	Angle Steel	Cut Angle	Delay Line	Length (L)	Width (W)	Front Height (H1)	Back Height (H2)
X1AW-001	X1AW-0L10	L	0	0	10	23	15	11.0	10
X1AW-002	X1AW-0L20	L	0	0	20	23	15	21.0	20
X1AW-003	X1AW-N55S	S	55	36	0	35.5	16	24.9	12.3
X1AW-004	X1AW-N60L	L	60	20	0	29.1	16	22.6	15
X1BW-001	X1BW-0L5	L	0	0	5	15	15	15.0	5
X1BW-002	X1BW-0L20	L	0	0	20	15	15	30.0	20
X1BW-003	X1BW-N45S	S	45	31	0	23	16	16.03	8
X1BW-004	X1BW-N55S	S	55	36	0	23	16	15.39	6.8
X1BW-005	X1BW-N60S	S	60	39	0	23	16	15.36	6.1
X1BW-006	X1BW-N60L	L	60	20	0	23	16	21.4	15.9